

Differential pressure gauge

Model 1130/1131/1132/1133

Max. static pressure 400 bar

Nominal size 50, 63, 80, 100, 115 and 150 mm

Accuracy: 2 %

Features

- Stainless steel case and several wetted parts
- Static pressure up to 400 bar
- Protection IP65
- Smooth pointer motion
- Dry or liquid filled
- Magnetic coupling, solid front not required

Ranges

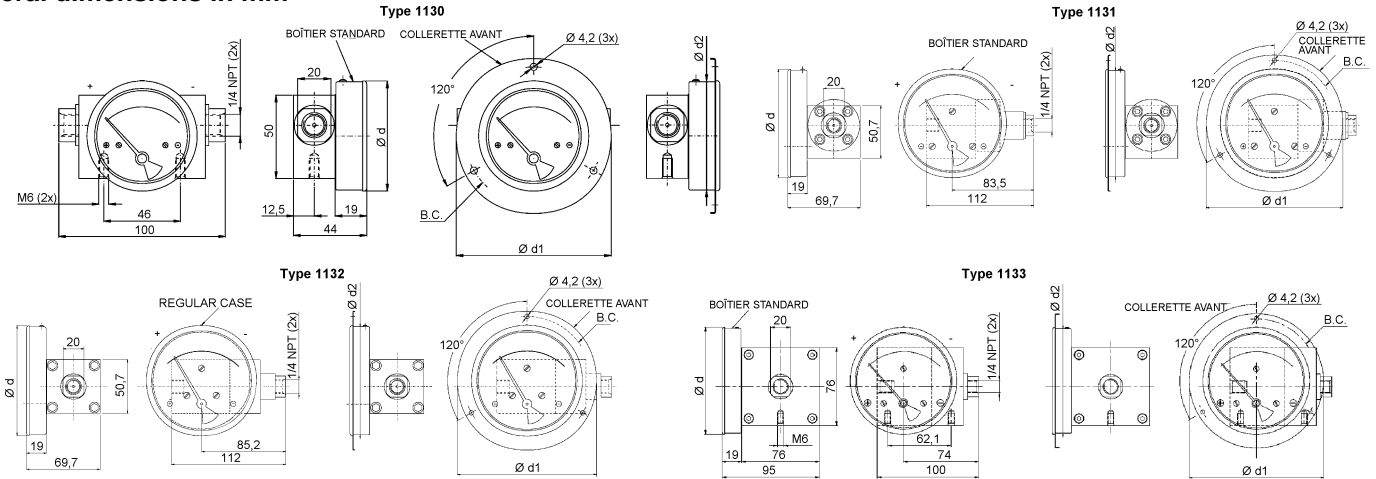
0 ... 2,5 mbar up to 0 ... 10 bar

Applications

Chemical and petrochemical industry
Machine and apparatus construction
Filters, Hydraulic systems
Water treatment



| Technical specification | 1130 | 1131 | 1132 | 1133 |
|--|---|---|---|---------------------------|
| Dial size in mm | 50, 63, 80, 100, 115 and 150 (depending on the type) | | | |
| Construction | Cylindrical case | | | |
| Measuring principle | Magnetic coupling, solid front not required | | | |
| Actuator | Piston | Rolling diaphragm | Convolute diaphragm | |
| Process fluid migration | Minimal | No | | |
| Range in mm H ₂ O | | | | 25 50 125 250 600 1000 |
| in mbar | 250 500 | 250 | 75 250 | |
| in bar | 0,25 0,5 0,75 1 1,6 2 2,5 3 3,5 4 5 6 7 | 0,25 0,5 0,75 1 2 2,5 4 7 | 0,25 0,5 0,75 1 1,6 2 2,5 3 4 | |
| Max. static pressure in bar | 200 or 400 (stainless steel body) | 200 | 100 | 35 |
| Overload capability | Maximum static pressure is also maximum pressure allowed on one side | Max. pressure only on the high pressure side. | Max. static pressure is max. pressure allowed on one side | |
| Pressure type | Differential | | | |
| Process connection | G ¼ B female, ¼ NPT female, others on request | | | |
| Connection location | Lower, back, in-line | Lower, back, in-line | | |
| Material | Wetted parts Body, pressure chamber, piston Spring and screws Magnet O-Ring/Diaphragm (if used) Case/bayonet ring Window Dial Pointer Body material, spring, screw, magnet and diaphragm (if used) Aluminum, brass ¹⁾ or stainless steel 316 (1.4401) ^{1) not for type 1133} 304 (1.4301) Ceramic PTFE/Buna-N, Viton or EPDM 304 (1.4301), optional 316L (1.4404) Instrument glass, optional acrylic or toughened glass Aluminum, black markings on white background Aluminum, black, optional red set hand or maximum pointer | | | |
| Accuracy calibrated ascending | 2 % | | | |
| Permissible | | | | |
| Ambient temperature | 0 ... 80 °C | | | |
| Medium temperature | Max. 80 °C | | | |
| Storage temperature | 0 ... 60 °C | | | |
| Effect | Max. 0,3 % / 10 K | | | |
| Protection according EN 60 529/IEC 529 | IP65 | | | |
| Filling liquids | Glycerin, Silicon on request, (not for type 1133) | | | |
| Mounting | Direct, optional panel or 2" pipe mounting (only for inline connections), others on request | | | |
| Weight dry/filled in kg | From 0,3 up to 1 depending on the construction | | | |
| Accessories, options | 3 or 5 way remote mounted manifolds, valves | | | |
| Contacts (reed switches) optional | One or 2 SPST (rating 10 VA AC or DC, 100 VAC or DC, 0,5 A AC or DC) One or 2 SPDT (rating 3 VA AC or DC, 30 VAC or DC, 0,3 A AC or DC) | | | |

General dimensions in mm


| Ø CADRAN | d | d1 | d2 | B.C. |
|------------|-----|-----|-------|------|
| 50 [2"] | 53 | 79 | 52 | 69 |
| 63 [2,5"] | 66 | 93 | 65 | 83 |
| 80 [3,5"] | 83 | 109 | 82 | 99 |
| 100 [4"] | 104 | 131 | 102 | 121 |
| 115 [4,5"] | 120 | 146 | 117 | 136 |
| 150 [6"] | 154 | 181 | 152,5 | 171 |

DÉCOUPE DU TABLEAU = d + 1 mm

REV. F

Drawings of gauges with contacts on request!

Order information

| Size | Type | System material | Execution | Process connection | Connection orientation | Range | Engineering units | Filling/case/contacts | Options |
|--|------|--|---|--------------------------------------|---|---|------------------------------|---|--|
| (20) 2" ¹⁾ (50 mm) | 1130 | (S) Body 316 (1.4401) | (D) IP65 standard case | (27) G ¼ female ¹⁾ | (S) In-line | 0/ 75 ¹⁾ 0/ 250 0/ 500 ³⁾ | MBAR | (=) Standard no filling, no contact | (NH) Tagging wired |
| | 1131 | | | | | | | | |
| (25) 2 ½" ²⁾ (63 mm) | 1132 | (A) Body Brass (not for type 1133) | (L) Liquid filled IP65 (standard Glycerin, not for type 1133) | (02) ¼ NPT male ¹⁾ | (B) Back ¹⁾ | 0/ 0,25 ²⁾ 0/ 0,5 0/ 0,75 0/ 1 0/ 1,6 ⁴⁾ 0/ 2 0/ 2,5 0/ 3 ⁴⁾ 0/ 3,5 ³⁾ 0/ 4 0/ 5 ³⁾ 0/ 6 ³⁾ 0/ 7 ²⁾ 0/ 9 ³⁾ 0/ 10 ³⁾ | BAR | (GV) Silicone not for type 1133 | (DA) Dial marking |
| | | | | | | | | | |
| (35) 3 ½" (80 mm) | 1133 | (F) Body Aluminum | (D) IP65 standard case | (RQ) 1/8 NPT female ¹⁾ | (B) Back ¹⁾ | 0/ 4 0/ 5 ³⁾ 0/ 6 ³⁾ 0/ 7 ²⁾ 0/ 9 ³⁾ 0/ 10 ³⁾ | psi and others on request | (V1) 1 SPST with DIN plug | (FF) Front flange |
| (40) 4" ³⁾ (100 mm) | | | | | | | | | |
| (45) 4 ½" (115 mm) | 1133 | (F) Body Aluminum | (D) IP65 standard case | (RQ) 1/8 NPT female ¹⁾ | (B) Back ¹⁾ | 0/ 5 ³⁾ 0/ 6 ³⁾ 0/ 7 ²⁾ 0/ 9 ³⁾ 0/ 10 ³⁾ | psi and others on request | (V3) 2 SPST with DIN plug | (EM) EPDM O-Rings/ diaphragm (not for type 1133) |
| (60) 6" (150 mm) | | | | | | | | | |
| ¹⁾ only for 1130 ²⁾ not for 1133 | 1133 | (F) Body Aluminum | (D) IP65 standard case | (RQ) 1/8 NPT female ¹⁾ | (B) Back ¹⁾ | 0/ 25 0/ 50 0/ 125 0/ 250 0/ 600 0/ 1000 | others on re- quest | (V5) 1 SPDT with DIN plug | (EP) Maximum pointer (not for liquid filled, 2" and 6" housing) |
| | | | | ¹⁾ with adapter | ¹⁾ no switches possible, switch without indication available | | | (V6) 1 SPDT with terminals strip | |
| | | | | | | | | (V7) 2 SPDT with DIN plug | |
| | | | | | | | | (V8) 2 SPDT with terminals strip | |

Order example

| Size | Type | System material | Execution | Process connection | Connection orientation | Range | Engineering unit | Filling/case/contacts | Options |
|------|------|-----------------|-----------|--------------------|------------------------|-------|------------------|-----------------------|---------|
| 25 | 1130 | F | D | RQ | L | 0/1 | BAR | = | NH |

Ashcroft Instruments GmbH

Germany
 Max-Planck-Str. 1, D-52499 Baesweiler
 P.O. Box 11 20, D-52490 Baesweiler
 Tel.: +49 (0) 2401 808-0, Fax: +49 (0) 2401 808-125

France
 „206" ZA du Mandinet, 1/3 Rue des Campanules
 F-77185 Lognes
 Tel.: +33 (0) 1 60 37 25 30, Fax: +33 (0) 1 60 37 25 39

Website: www.ashcroft.eu

e-Mail: sales@ashcroft.com

Ashcroft Ltd.

Unit 17 & 18 William James House
 Cowley Road, Cambridge CB4 0WX
 Tel.: +44 (0) 12 23 39 55 00, Fax: +44 (0) 12 23 39 55 01