

GC51 Pressure Transducer

FEATURES

- Bright backlit 4-digit LCD display
- “Loop Check” function allows unit to output 4-20mA without applying pressure
- Internal “push-button” configurability allows quick range changes
- “Min./Max. Hold” function allows display to capture pressure events
- Easily rotatable display, 90° increments

TYPICAL USES

- Pump Control
- Hydraulic Systems
- Compressor Control
- Process Automation
- Municipal Water Tank Level

PERFORMANCE SPECIFICATIONS

Reference Temperature:	73°F (23°C)
Accuracy:	±0.25% of span (URL) Accuracy includes the effects of linearity, hysteresis, and repeatability
Stability:	±0.25% of span (URL)/year
Output Resolution:	0.1% of span (URL)

ENVIRONMENTAL SPECIFICATIONS

Temperature Effects:	14°F to 140°F (-10°C to 60°C) ±0.02% FS (URL)/°C
Temperature Limits:	Storage: -4°F to 158°F (-20°C to 70°C) Operating: 14°F to 140°F (-10°C to 60°C) Compensated: 14°F to 140°F (-10°C to 60°C)

FUNCTIONAL SPECIFICATIONS

Overpressure:	Proof:	Burst:
≤1,500 psi	2 X Range	5 X Range
3,000 & 5,000 psi	1.5 X Range	3 X Range
7,500 psi	1.2 X Range	1.5 X Range
Response Time:	30 ms (user adjustable)	
Vibration:	5 g's 150Hz	
Shock Effect:	10 g's 16ms	
Display:	Type: 4 digit, 10mm LCD with LED backlight Accuracy: ± 0.25% FS (URL) + last digit	

ELECTRICAL SPECIFICATIONS

Output Signal:	4-20 mA (2 Wire)
Supply Voltage:	12-32 Vdc
Rangeability/Adjustment:	Zero: -10% to +110% span Span: -10% to +110% span (Accuracy and output resolution based upon F.S. (URL) value)



GC51 Pressure Transducer



KEY BENEFITS

- Robust NEMA 4X (IP65) aluminum die cast housing
- Scaling function allows display to indicate user defined physical units
- Up to 8X smaller than a conventional process transmitter

Insulation Resistance: 50 Vdc (>100 MΩ)

EMC Compliance: EMC Directive 2004/108/EC
IEC/EN 61326-1: 2006 (EMI Class A/ EMS Table 2)
IEC/EN 61326-2-3: 2006
(Annex BB (Pressure Transducer))

PHYSICAL SPECIFICATIONS

Weight:	Approx. 1.0 lb.
Environmental Rating:	IP66/NEMA 4X
Electrical Connection:	½ NPT Female Conduit Cable Gland (Cable diameters 0.35" to 0.47")
Mounting:	Mounting bracket included
Process Connection:	¼ NPT Female

GC51 Pressure Transducer

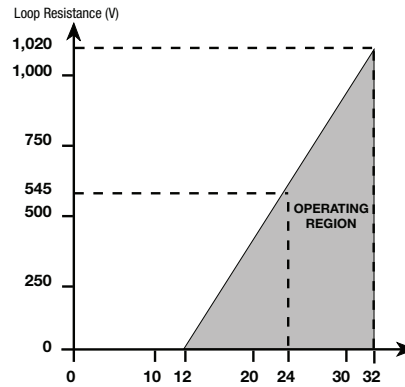
WETTED MATERIAL

Diaphragm	Process Connection	Media Compatibility
17-4PH SS	316 SS	Fluids and gases compatible with 316 SS and 17-4PH SS

NON-WETTED

Enclosure
Aluminum, epoxy coated

LOAD LIMITATIONS 4-20 mA OUTPUT ONLY



LOOP SUPPLY VOLTAGE

$$V_{min} = 12V + [0.022A * R_L]$$

*Includes a 10% safety factor

$$R_L = R_S + R_W$$

R_L = Loop Resistance (ohms)

R_S = Sense Resistance (ohms)

R_W = Wire Resistance (ohms)

ORDERING CODE

Example:

GC51 7 F02 42 CG 15#&VACG - XRH

Model

GC51 - Rangeable pressure transmitter

GC51

Accuracy

7 - ±0.25% of span

7

Pressure Fitting

F02 - ¼ NPT Female

F02

Output Signal

42 - 4-20 mA Output signal

42

Electrical Connection

CG - Cable gland

CG

CD - ½ NPT Female conduit

Pressure Range

Compound

15#&VACG - Vac - 15 psi

15#&VACG

30#&VACG - Vac - 30 psi

50#&VACG - Vac - 50 psi

Gauge

50#G - 0-50 psi

100#G - 0-100 psi

150#G - 0-150 psi

300#G - 0-300 psi

500#G - 0-500 psi

1000#G - 0-1,000 psi

1500#G - 0-1,500 psi

3000#G - 0-3,000 psi

5000#G - 0-5,000 psi

7500#G - 0-7,500 psi

Option (if including an option(s) must include an "X")

RH - 9 pt. NIST traceable calibration certificate

X

6B - Cleaned for oxygen service

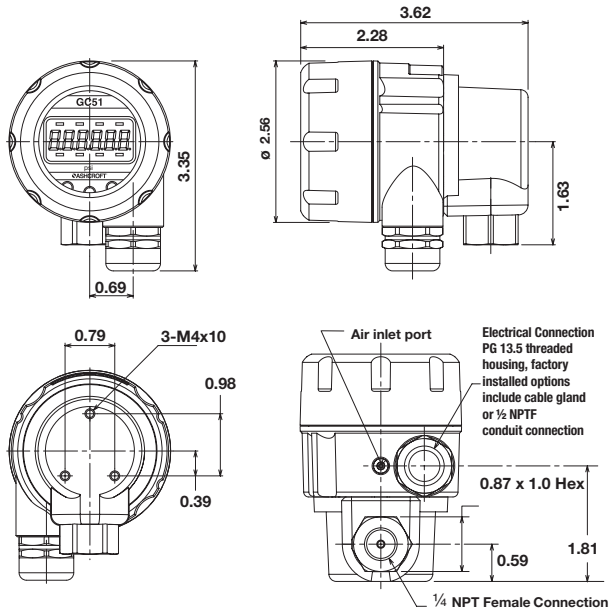
RH

RH

GC51 Pressure Transducer

DIMENSIONS in [] are millimeters

For reference only, consult Ashcroft for specific dimensional drawings



Installation Drawings

