

reliable actuators
to **Fit**
& **Forget**



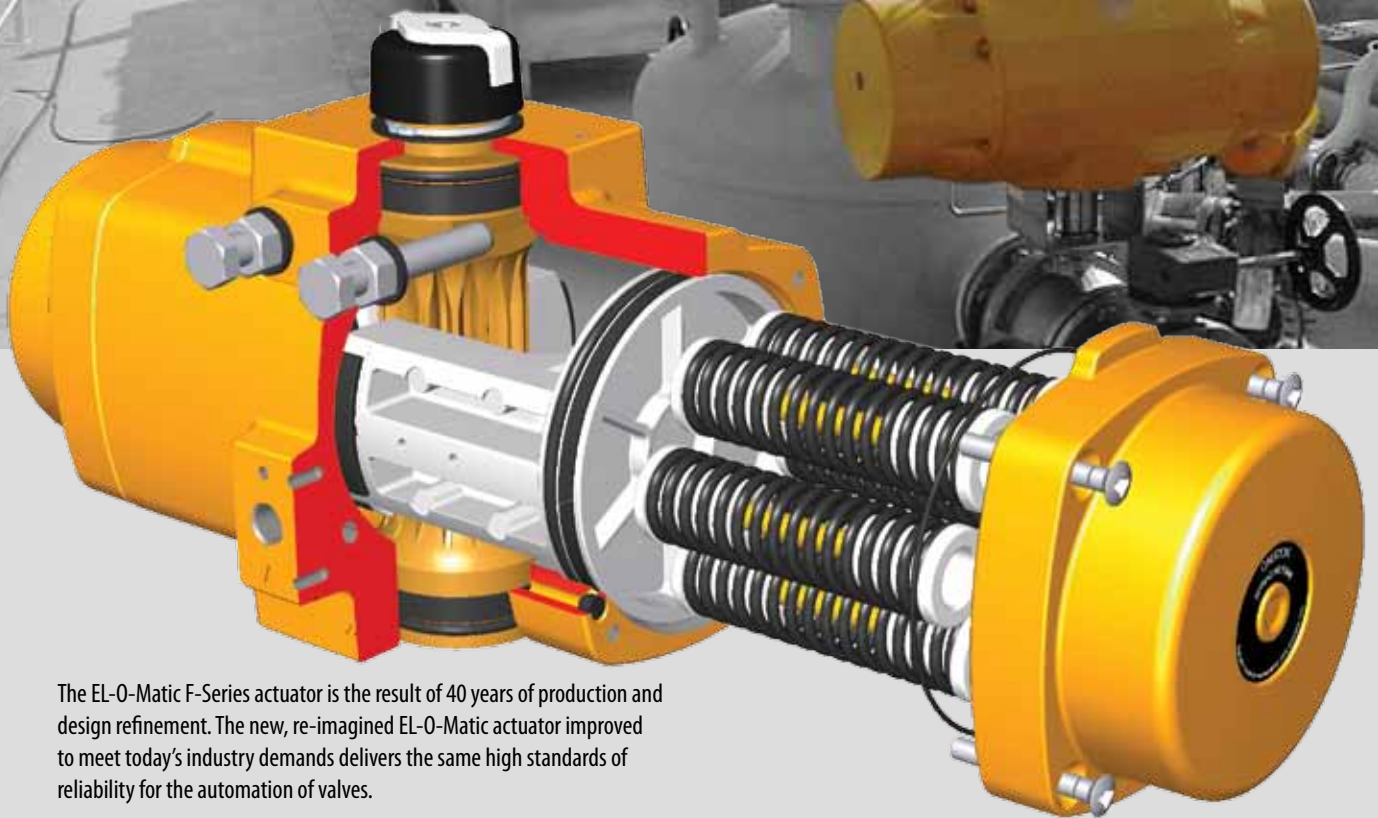
EL MaticTM

Pneumatic Rack & Pinion Actuators

a new look

Reliable As Ever

40 years of success and still delivering



The EL-O-Matic F-Series actuator is the result of 40 years of production and design refinement. The new, re-imagined EL-O-Matic actuator improved to meet today's industry demands delivers the same high standards of reliability for the automation of valves.



Pneumatic Rack & Pinion Actuators

Fit & Forget

EL-O-Matic continues to be the industry standard with innovative features and greater customer benefits from Emerson's portfolio of rack & pinion actuators.

Built upon 40 years of proven service from millions of applications, EL-O-Matic actuators remain second to none in dependability, providing the optimum "Fit & Forget" performance in a wide range of process industry applications such as Chemicals, Refining, Power Generation, Pulp & Paper, Pharmaceuticals and Food & Beverage. Designed and produced according to standards for high engineering accuracy, in manufacturing sites certified to ISO 9000:2008, assure a long cycle life.



Valve drive adaptors makes the EL-O-Matic's installation quick and reliable.

"Fit & Forget" Means Reliability

Product reliability is key to customer satisfaction. EL-O-Matic actuators are quick and easy to install and function faultlessly throughout their long working life.

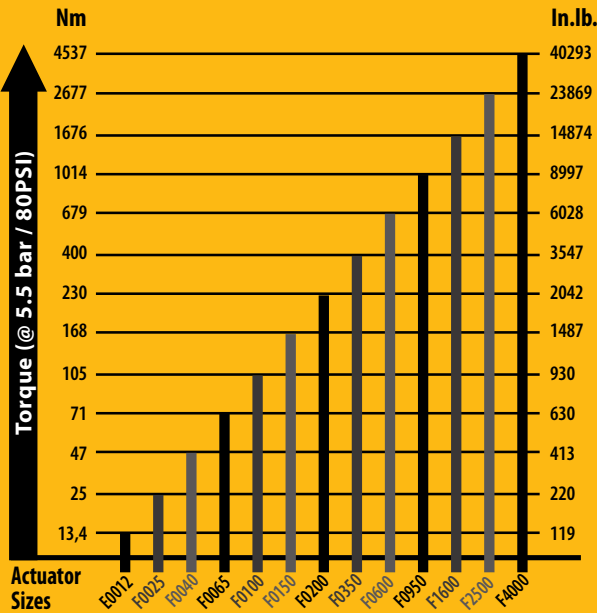
Rugged, cast aluminum bodies and advanced powder coated finishing provide corrosion protection even in the harsh environments. Modular construction, interchangeable components, dual drilled mounting holes and pinion inserts provide the widest range of mounting options. Drive pinions of aircraft grade ASTM 7075 T6 aluminum alloy ensure the ultimate combination of strength/weight ratio and additional protection against galvanic corrosion. Stainless steel external fasteners complete the corrosion protection specification and combine to provide greater cost savings and better long-term value.

Cast aluminum with two part coating with powder coating provides superior corrosion protection.



designed to improve Operations and Easy Maintenance

EL-O-Matic F-Series - 13 Sizes



Valve Types:

Ball: 1/2" / DN12 12" / DN300

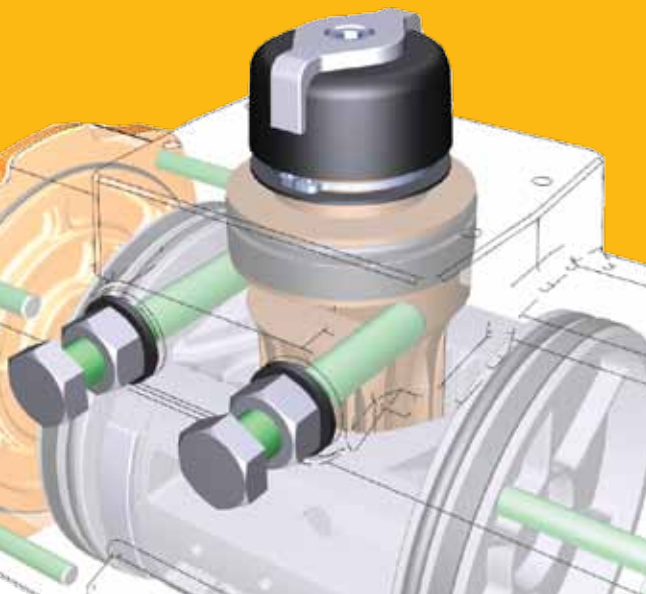
Butterfly: 2" / DN50 30" / DN750

Actuator Temperature Ranges

Standard -20 °C to +80 °C (-4 °F to +176 °F)

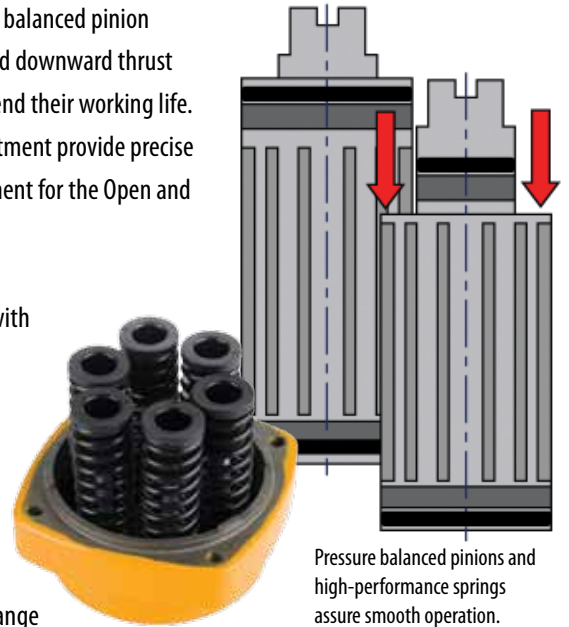
High Temperature -20 °C to +120 °C (-4 °F to +248 °F)

Low Temperature -40 °C to +80 °C (-40 °F to +176 °F)



EL-O-Matic actuators' pressure balanced pinion eliminates "endwise" forces and downward thrust from internal pressures to extend their working life. EL-O-Matic's dual stroke adjustment provide precise intuitive end of stroke adjustment for the Open and Closed valve position.

Actuator torque is optimized with high-performance springs, designed to deliver a torque range suitable for a wide range of applications. Six separate spring sets allow proper sizing to all quarter-turn valve types with a wide range of supply pressures. Maximum safety and ease of conversion are accomplished with pre-assembled springs.



Pressure balanced pinions and high-performance springs assure smooth operation.

EL-O-Matic actuators' wide torque ranges meet all cycle speed demands through 13 sizes with a torque output ranging from 13.4 to 4537 Nm (119 to 40293 lbf.in) for ball valves from 1/2" to 12" and butterfly valves to 30." Cycle speeds are maximized by the use of large internal air ports. Optional "super-fast" and reduced speed versions are also available.

Direct Mounting

Spindle Insert
Fastenings



Indirect Mounting

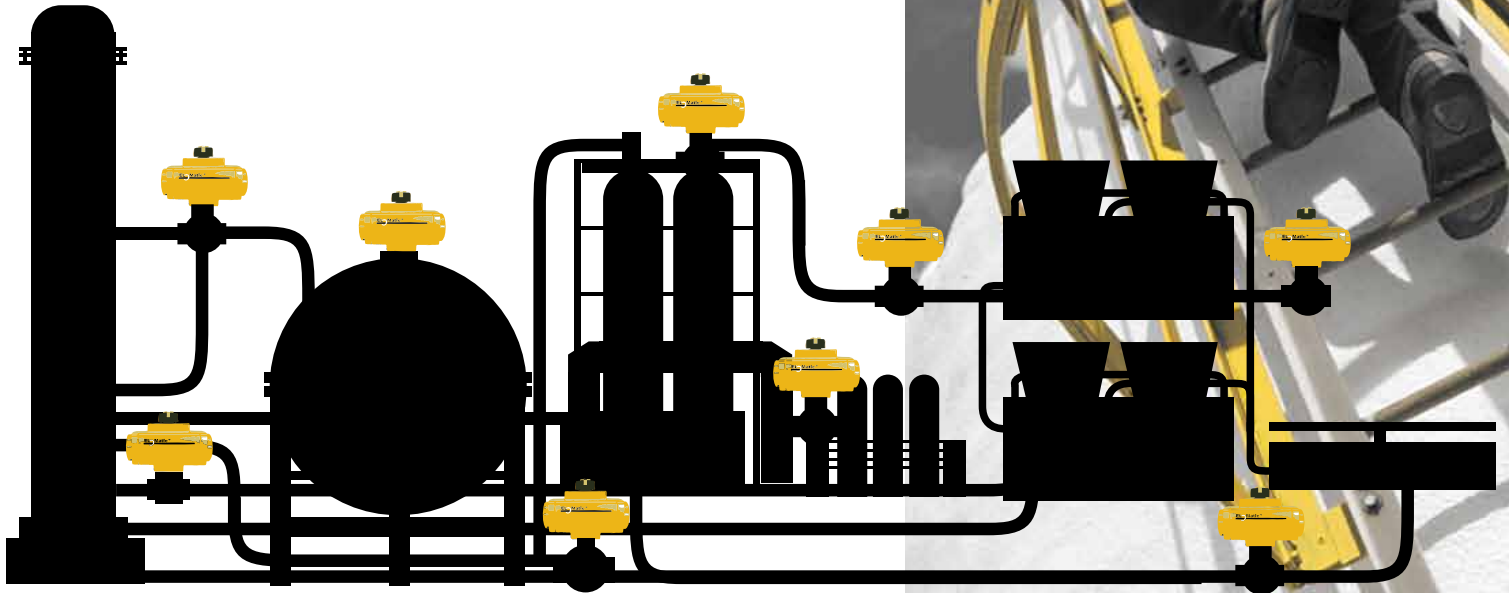
Box Section Bracket
Drive Adaptor
Fastenings



safety completes the Reliability Picture

Compliance to relevant industry standards ensures EL-O-Matic actuators afford customers the widest range of applications, and the longest working life, safety and reliability.

The F-Series actuator's Blow-Out-Proof pinion design improves safe maintenance by ensuring the pinion remains in the housing. Actuators not having this feature are in danger of sudden ejection of the pinion when the actuator is pressurized and the clip has been removed.



EL-O-Matic actuators comply with the following standards:

- ISO 5211 for the valve interface
- VDI/VDE 3845. (NAMUR) for air connection interface (solenoid valve) and top mount interface (switch box or positioner).
- EN 15714 part 3 for working life and performance
- ASTM B117 for corrosion protection

EL-O-Matic F-Series actuators also comply with all relevant health and safety standards across all areas of operation including:

- EU Machinery Directive 2006/42/EC for mechanical safety;
- EU Pressure Equipment Directive 97/23/EC for pressure safety; and
- EU ATEX Directive 94/9/EC for explosive safety.

Metric Tables

Torque Double Acting

Actuator Size	Torque in Nm Supply pressure (barg)			
	4	5	5.5	6
FD0025	18	23	25	27
FD0040	34	42	47	51
FD0065	51	64	71	77
FD0100	76	95	105	115
FD0150	122	153	168	183
FD0200	167	209	230	251
FD0350	290	363	400	436
FD0600	492	617	679	741
FD0950	764	957	1054	1151
FD1600	1250	1567	1725	1883
FD2500	2015	2525	2780	3036
FD4000	3225	4041	4449	4857

Torque Spring Return

Actuator Size	Spring Set	Spring Stroke (Nm) Start End		Air Stroke (Nm) Supply pressure in barg					
				5.0 barg		5.5 barg		6.0 barg	
				Start	End	Start	End	Start	End
FS0025	40	14	9	14	8	16	10	18	12
	50	18	11	11	4	14	6	16	8
	60	21	13	-	-	11	2	13	4
FS0040	40	26	17	26	15	30	19	35	24
	50	33	21	21	7	26	12	30	16
	60	39	25	-	-	21	4	25	9
FS0065	40	41	26	39	21	46	28	52	35
	50	51	32	31	10	38	17	45	23
	60	61	39	-	-	31	5	38	12
FS0100	40	59	37	58	33	68	43	78	53
	50	74	47	47	16	57	26	68	36
	60	89	56	-	-	47	9	57	19
FS0150	40	94	59	94	54	110	70	126	86
	50	118	74	77	26	93	43	109	59
	60	141	89	-	-	76	16	92	32
FS0200	40	131	82	127	71	149	93	171	116
	50	163	103	103	34	125	56	148	78
	60	196	124	-	-	102	18	124	41
FS0350	40	224	141	222	127	261	166	300	205
	50	280	176	182	63	221	102	260	141
	60	335	211	-	-	180	38	219	77
FS0600	40	383	241	376	213	442	279	508	345
	50	479	302	307	103	373	169	439	235
	60	575	362	-	-	303	59	369	125
FS0950	40	600	378	580	324	682	427	784	529
	50	750	473	471	152	573	254	676	357
	60	900	567	-	-	465	82	567	184
FS1600	40	982	619	948	531	1116	698	1284	866
	50	1228	773	771	249	938	416	1106	584
	60	1473	928	-	-	761	134	928	302
FS2500	40	1583	997	1529	856	1799	1126	2070	1396
	50	1979	1247	1242	401	1513	671	1783	941
	60	2375	1496	-	-	1226	216	1496	486
FS4000	40	2533	1596	2447	1369	2879	1802	3311	2234
	50	3167	1995	1988	641	2420	1074	2853	1506
	60	3800	2394	-	-	1962	346	2394	778

More technical information is available from:
www.EL-O-Matic.com/F-Series/Documentation



Various accessories can complete your Valve Operating System™



Wireless Transmitters



Solenoids

Pressure Regulators

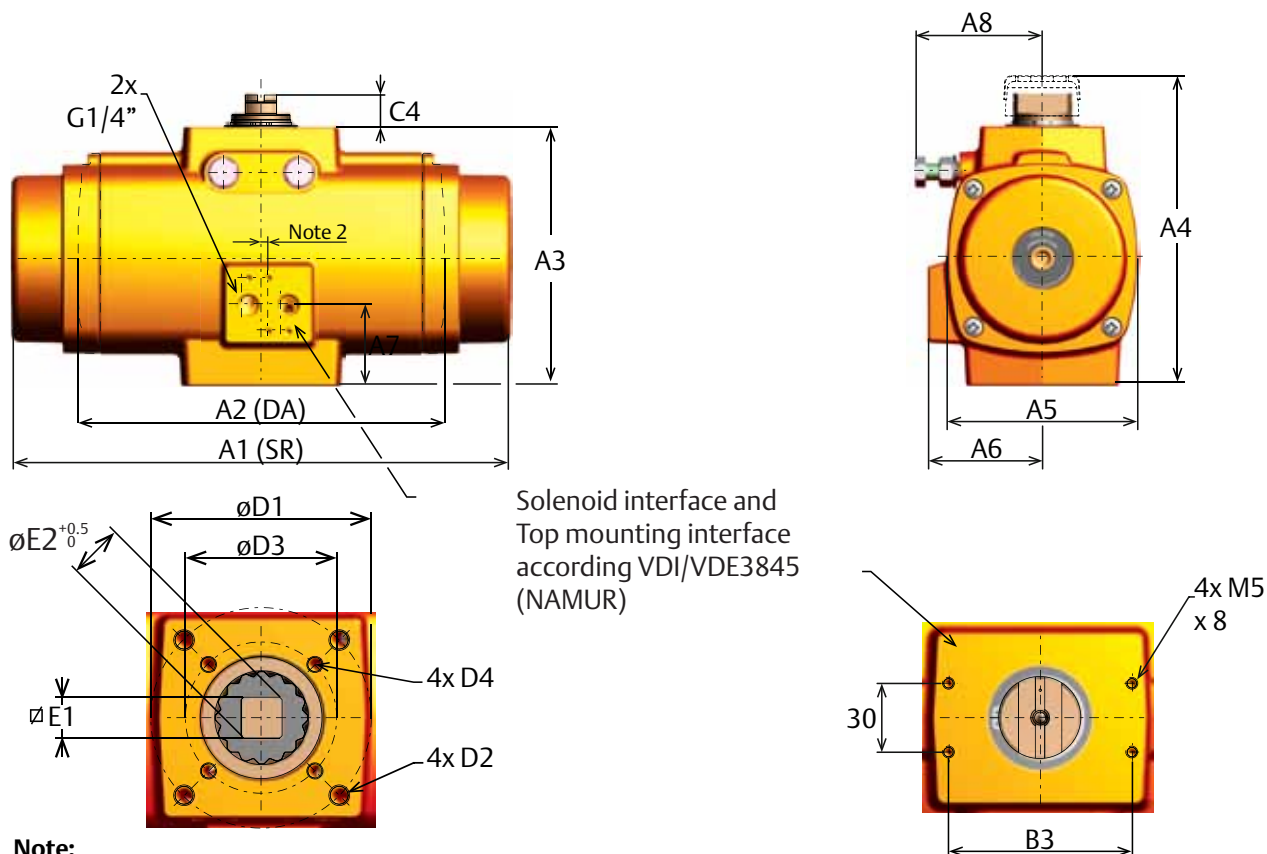


Digital Valve Positioners (DVCs)



Metric Tables

Dimensions



Note:

1. DA = Double Acting, SR = Spring Return
2. The solenoid drilling pattern is shifted 4 mm for size 0025 and 2mm for size 0040 vs. the centerline of the actuator.

Dim in.	Actuator size											
mm	25	40	65	100	150	200	350	600	950	1600	2500	4000
A1	166	192	217	247	304	362	385	476	xxx	xxx	xxx	xxx
A2	166	192	217	247	223	256	269	336	xxx	xxx	xxx	xxx
A3	91	112	124	131	157	163	201	248	xxx	xxx	xxx	xxx
A4	119	139	151	158	185	191	230	292	xxx	xxx	xxx	xxx
A5	82	95	104	115	127	134	165	199	xxx	xxx	xxx	xxx
A6	49	55	58	64	69	72	85	102	xxx	xxx	xxx	xxx
A8	48	58	69	69	75	87	109	132	xxx	xxx	xxx	xxx
B3	80	80	80	80	80	80	80	130	130	130	130	130
C4	20	20	20	20	20	20	20	30	30	30	30	30
ISO 1	F05	F07	F07	F07	F10	F10	F10	F12	F14	F16	F16	F25
D1	50	70	70	70	102	102	102	125	125	165	165	254
D2	M6x10	M8x13	M8x13	M8x13	M10x15	M10x15	M10x15	M12x18	M12x18	M20x20	M20x20	M16x25
ISO 2	F03	F05	F05	F05	F07	F07	F07	F10	F10	F25*	F25*	F16
D3	36	50	50	50	70	70	70	102	102	-/-	-/-	165
D4	M5x8	M6x10	M6x10	M6x10	M8x13	M8x13	M8x13	M10x16	M10x16	-/-	-/-	M20x20
E1 Max.	11.08	14.08	14.08	19.08	19.08	22.10	27.11	27.11	36.16	46.16	46.16	55.24
E1 Min.	11.00	14.00	14.00	19.00	19.00	22.00	27.00	27.00	36.00	46.00	46.00	55.00
E2	14.1	18.1	18.1	25.2	25.5	28.2	36.2	36.2	58.2	60.2	60.2	72.2

